

BAROMETER "macrowind D"

Order No. D1000

AbsolutWind Customerservice

„Haus des Reisens“
At Alexanderplatz
Alexanderstr. 7
10178 Berlin
Germany

Phone: +49 30 25 32 685-1

Email: sales@absolutwind.de

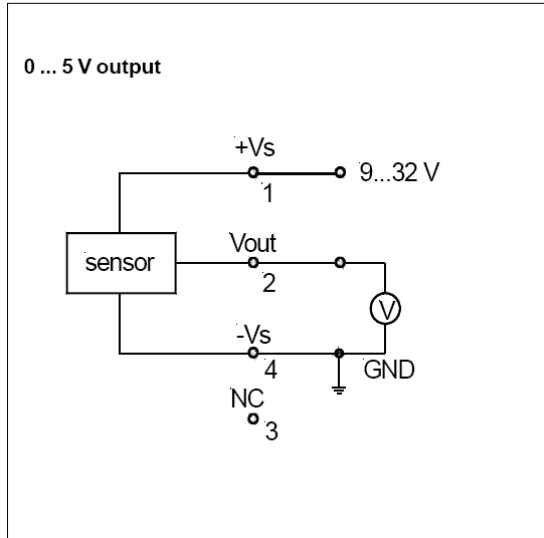
- **Stainless steel housing, protection for bolted connectors (IP64 (DIN 40050))**
- **Electrical connection: connector with M12x1 screw locking**
- **Cable: LiYCY 4 x 0.25 mm²**
- **Atmosphere: non-ionic, non-corrosive**



Technical Data

Sensor type	Stainless steel, IP64
Application range wind site assesement	0...1500 meters above sea level
Temperature operation range	- 40°C...+ 85°C
Humidity range	0%...98% RH
Vibration	2 g RMS (5...500 Hz)
Maximum allowable mechanical shock	50 g
Non-linearity and hysteresis	± 0.1% FS (up to 25°C)
Pressure range	785...1085 mbar, hPa
Long term stability	± 0.1% FS (after 1 year or 1 million pressure cycles)
Output voltage	0...5 V DC (slope of 1V per 60 hPa)
Supply voltage	9...32 V
Consumption	< 5 mA
Weight	80 g
Dimensions	Length: 72 mm, diameter: 22 mm

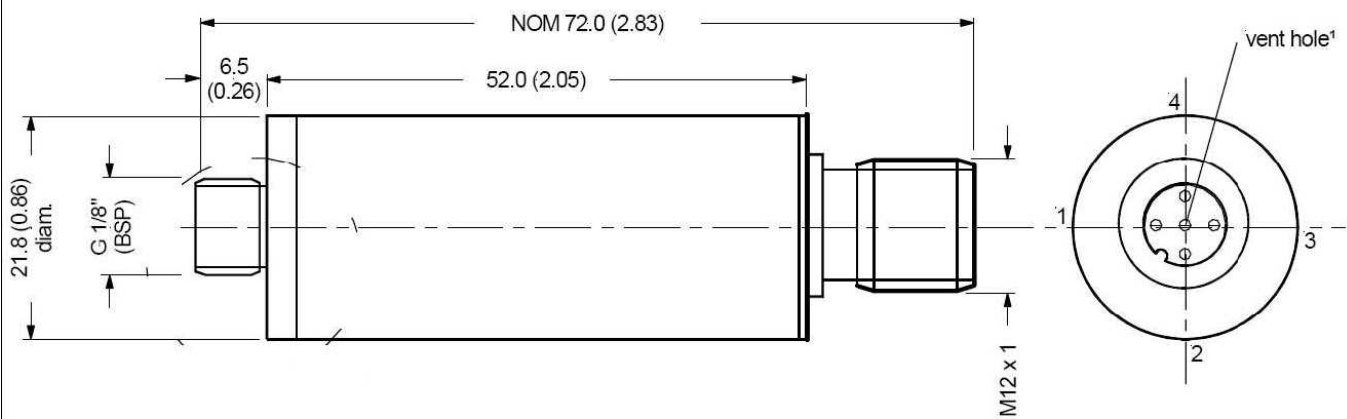
Electrical Connections



Connections and Wire Colours

Pin	Connection	Wire Colour
1	+V supply	brown
2	Vout Signal	white
3	NC	---
4	GND Ground	green + yellow

OUTLINE DRAWING



Subject to change